

# Conductivity meter

Committed to process automation solutions

## Datasheet



## SUP-TDS210

## Supmea SUP-TDS210

The SUP-TDS210 is a true multivariable analyzer used for measuring/controlling the conductivity with temperature or TDS. The function is switchable on the device itself. Depending on the measured variable, conductivity electrodes (e. g. EC sensors) can be readily connected.

Truly unique is the SUP-TDS210 in the Human Machine Interface. The high resolution digital display and LCD screen make the measurements are clearly legible and the keyboard operation make it easier for the user to configure the device. The instructions on screen assure that the best configuration for the application is obtained

Universal application in water and waste water engineering, service/process water and drinking water and well/surface water, leakage monitoring in refrigeration plant



### SUP-TDS210

## Features

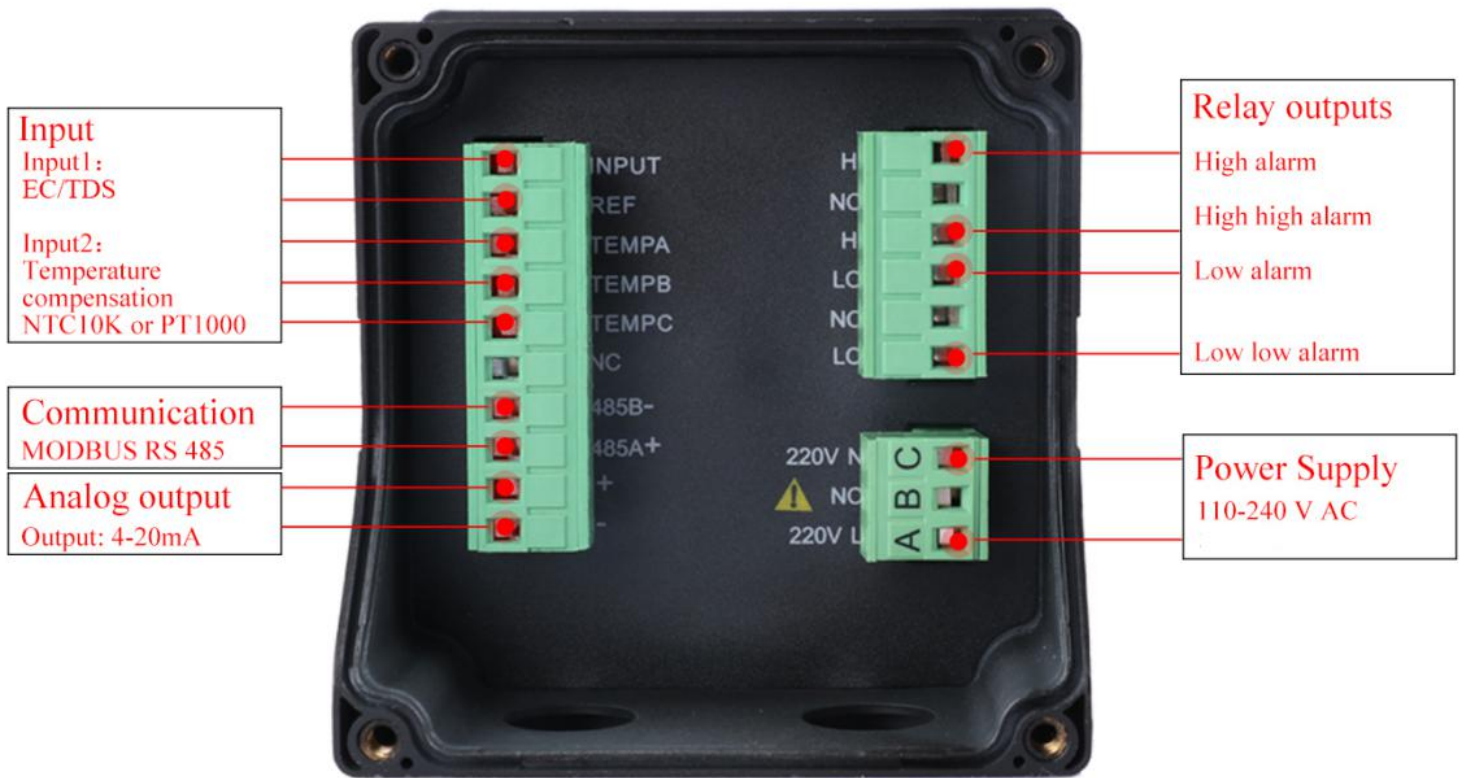
- Easy operation
- NEMA enclosure for field mounting and panel mounting
- Automatically Temperature Compensation
- Directly switchable to EC or TDS
- Large LC D display with background lighting
- EC or TDS sensors can be connected thanks to the sensor supply integrated in the output
- Using the setup program: user-friendly programming
- 4-20mA analog output
- RS485 communication

The device is designed for use on site. A rugged housing protects the electronics and the electrical connections from corrosive environmental conditions . As an alternative, the device can also be installed in a control panel.



- 1, Temperature
- 2, Output signal
- 3, High alarm
- 4, Low alarm
- 5, Measured value
- 6, Menu
- 7, Exist
- 8, Choose
- 9, Enter

## Function diagram

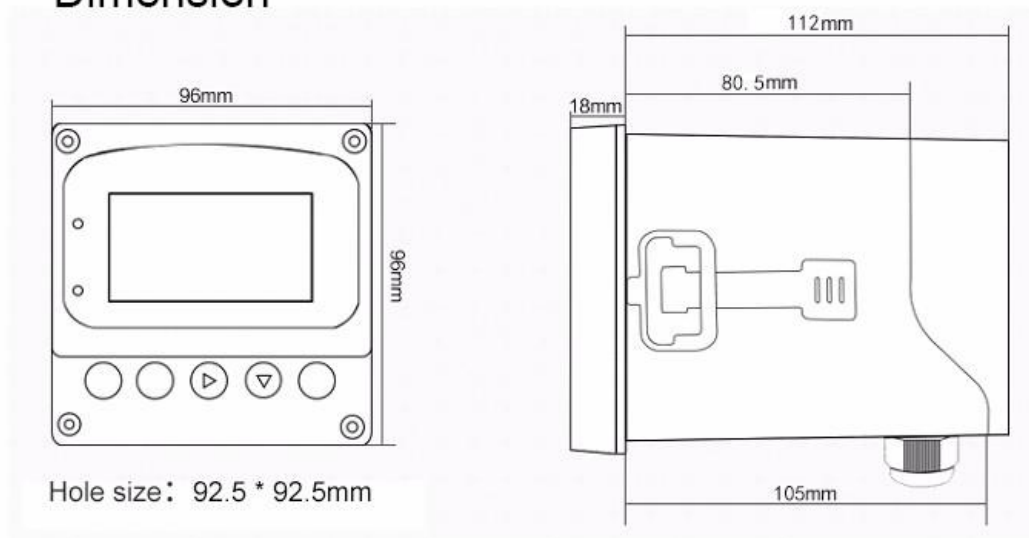


## General Specifications of SUP-TDS210

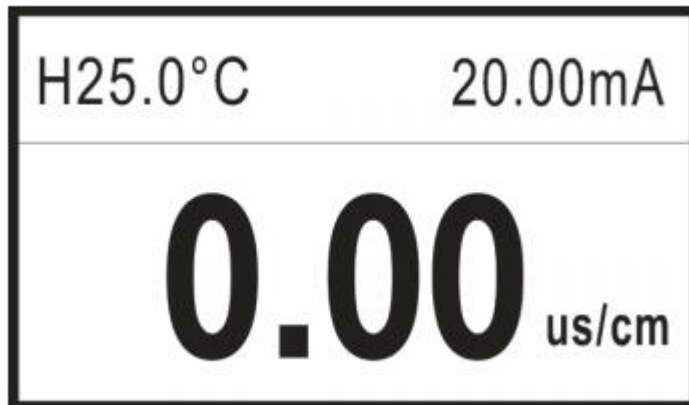
Measuring Range	0.01 electrode: 0.02 to 20.00 us/cm
	0.1 electrode: 0.2 to 200.00 us/cm
	1.0 electrode: 2 to 2000 us/cm
	10.0 electrode: 20 to 20000 us/cm
Accuracy	±1% FS
Stability	±1% FS /24H
Temperature Compensation	Compensation Range: -10~130°C PT1000, Accuracy: ±0.5°C
Display	2.4 inch LCD display
Relay out	2 relay out, capacity: 250V AC,3A
Signal output	4-20mA Output, RS485 communication, compatible with standard MODBUS-RTU
Power supply	AC220V ±10%,50Hz
Dimension	96*96*96.5 mm (H*W*D)
Hole Size	92.5*92.5 mm



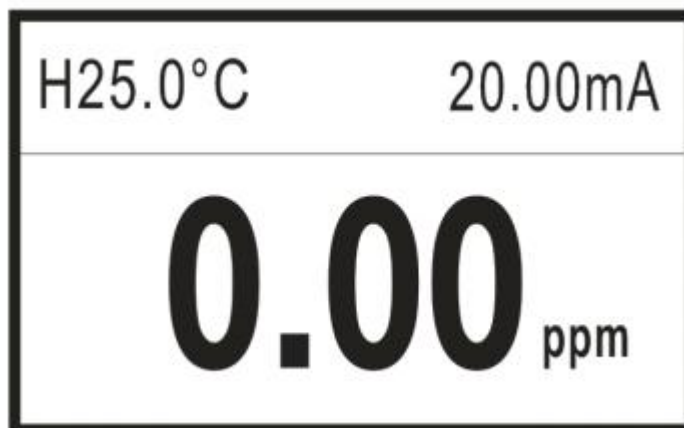
### Dimension



**EC monitor:**



**TDS monitor:**





## How to select the probe

Good controller with good quality



**K = 0.01 electrode**  
Suitable for pure water,  
Ultrapure water testing

**k = 0.1 electrode**  
Suitable for drinking  
Water measurement

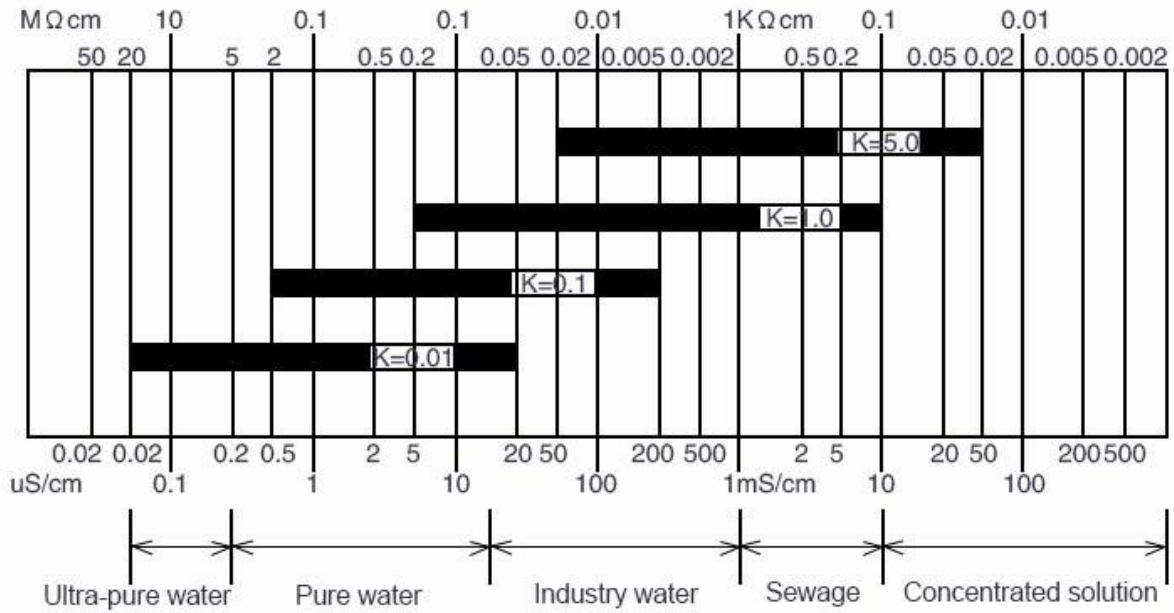
**k = 1.0 electrode**  
Suitable for river water,  
Raw water testing

**k = 10.0 electrode**  
Suitable for sewage,  
waste monitoring

### Electrode Dimension

Constant	Material	Length	Diameter	Hole size	Thread
K=1.0	Plastic	57.5mm	12.7mm	6mm	NPT1/2
K=0.01	Stainless steel	77mm	13mm	6mm	NPT1/2
K=0.1	Stainless steel	59mm	13mm	6mm	NPT1/2
K=1.0	Stainless steel	59mm	13.5mm	6mm	NPT1/2
K=10.0	Polysulfone	60.5mm	23.3mm	6mm	NPT3/4

**Electrode Choose**



Normal range	Large range:
0.01 electrode: 0.02~20.00us/cm	0.01electrode: 0.02~100.00us/cm
0.1 electrode: 0.2~200.0us/cm	0.1 electrode: 0.2~1000.0us/cm
1.0 electrode: 2~2000us/cm	1.0 electrode: 2~10000us/cm
10.0 electrode: 20us/cm~20.00ms/cm	10.0 electrode: 20us/cm~100.00ms/cm





<b>China</b>	<b>Singapore</b>	<b>Germany</b>	<b>Malaysia</b>
Supmea China Headquarters	Singapore Branch	German Branch	Malaysia Branch
Address: 5th floor, Building 4, Singapore-Hangzhou Science & Technology Park, Hangzhou, China	Address: 2 VENTURE DRIVE #11-30 VISION EXCHANGE SINGAPORE	Address: Göttinger Straße.59 30449 Hannover Niedersachsen Deutschland	Address: No 3, Jalan Emas Jaya 1, Taman Industries Emas jaya Tongkang Pecah , Batu Pahat