

# Conductivity controller

Committed to process automation solutions

## Datasheet



### SUP-EC8.0

The SUP-EC8.0 is used in industrial measuring of the temperature, conductivity, Resistivity, salinity and total dissolved solids, such as waste-water treatment, environmental monitoring, pure water, sea farming, food production process, etc. The instrument can be panel, wall or pipe mounted. The instrument provides two current outputs. The maximum load is 500  $\Omega$ . The instrument provides 3 relays. It can pass through a maximum of 5A/250VAC or 5A/30VDC.

## Characteristics

- Easy operation
- NEMA enclosure for field mounting and panel mounting
- Automatically Temperature Compensation
- Directly switchable to EC or TDS
- Large LC D display with background lighting
- EC or TDS sensors can be connected thanks to the sensor supply integrated in the output
- Using the setup program: user-friendly programming
- Data logging capacity
- 4-20mA analog output
- RS485 communication

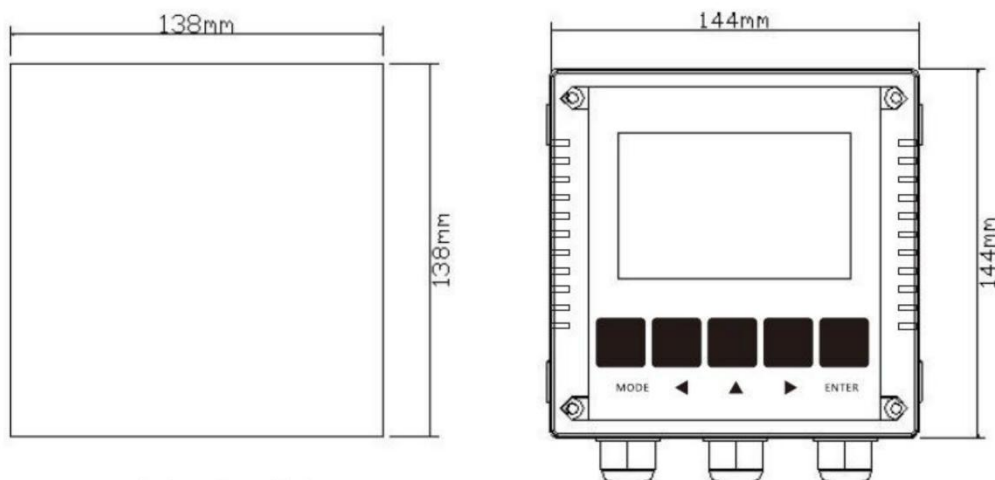
## Parameter

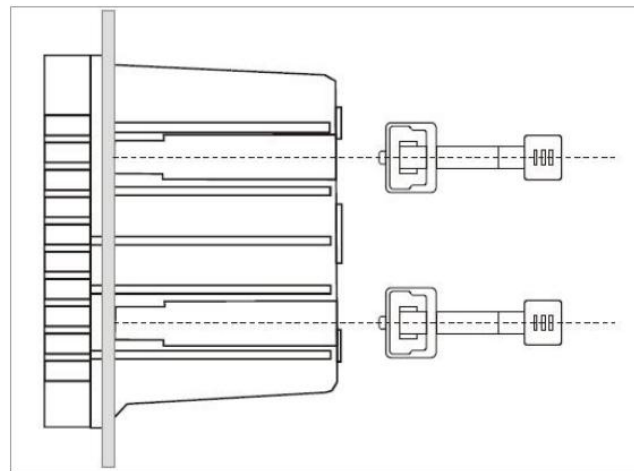
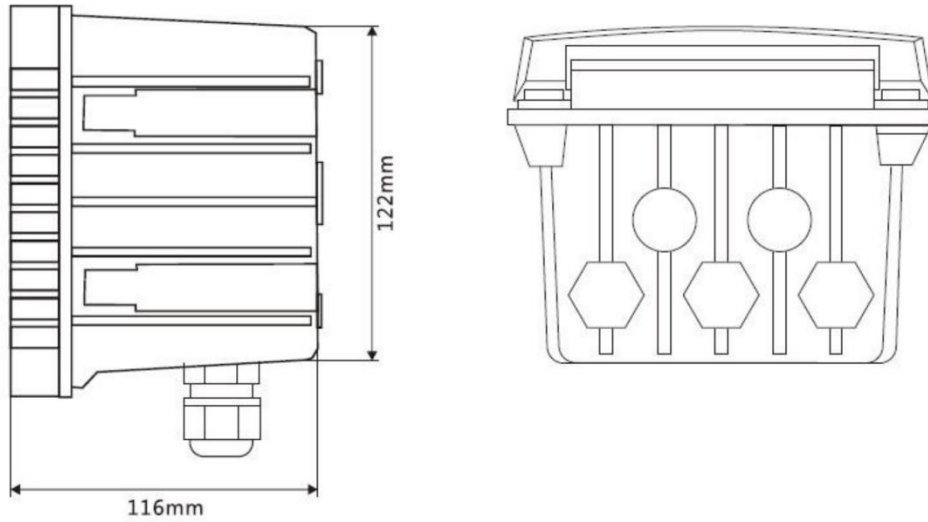
Functions	EC	TDS
Measuring range	0.00uS-2000mS	0-133000 ppm
Resolution	0.01/0.1/1	1
Accuracy	$\pm 1\%$ F.S.	$\pm 1\%$ F.S.
Temp. compensation	Pt 1000/NTC30K	
Temp. range	-10.0 to +130.0°C	
Temp. compensation range	-10.0 to +130.0°C	
Temp. resolution	0.1°C	
Temp. accuracy	$\pm 0.2^\circ\text{C}$	
Cell constant	0.001 to 20.000	
Ambient temperature range	0 to +70°C	
Storage temp.	-20 to +70°C	
Display	Back light, dot matrix	

EC current output1	Isolated, 4 to 20mA output , max. load 500Ω
Temp. current output 2	Isolated, 4 to 20mA output , max. load 500Ω
Current output accuracy	±0.05 mA
RS485	Mod bus RTU protocol
Baud rate	9600/19200/38400
Maximum relay contacts capacity	5A/250VAC,5A/30VDC
Cleaning setting	ON: 1 to 1000 seconds, OFF: 0.1 to 1000.0 hours
One multi-function relay	clean/period alarm/error alarm
Relay delay	0-120 seconds
Data logging capacity	500,000
Language selection	English/traditional Chinese/simplified Chinese
Waterproof grade	IP65
Power supply	From 90 to 260 VAC, power consumption < 7 Watts
Installation	panel/wall/pipe installation
Weight	144 series:0.85Kg

## Dimension

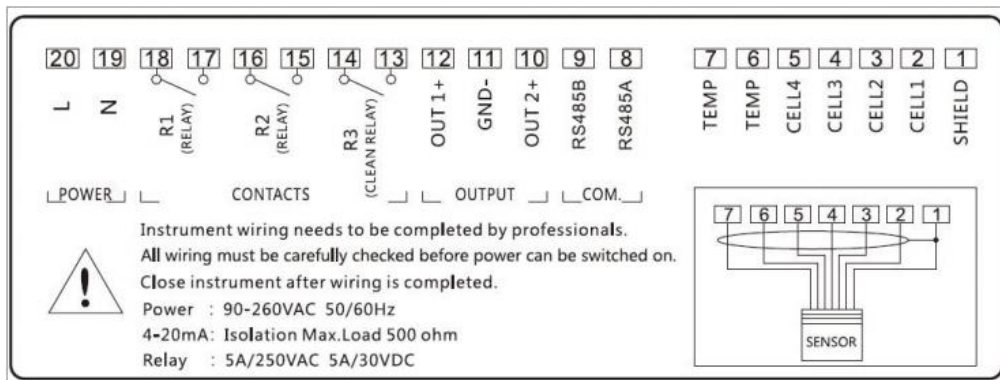
144 series: The instrument can be panel, wall or pipe mounted installation. Panel Installation: Make a 138x138 mm square cutout and insert the instrument. Screw in the fixed block with the screws and fixed bar.



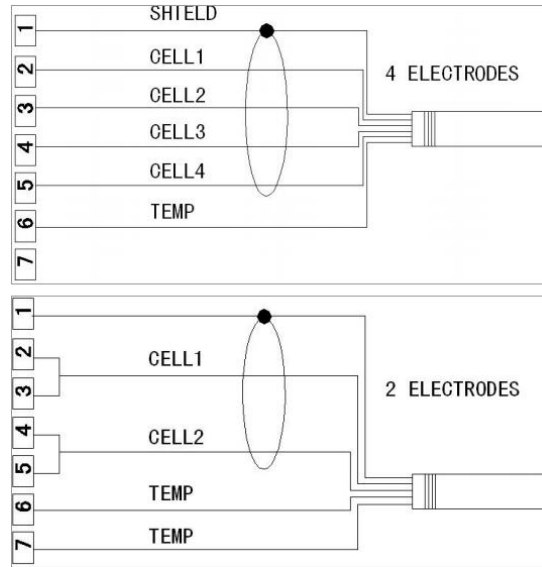


installation figure

## Wiring

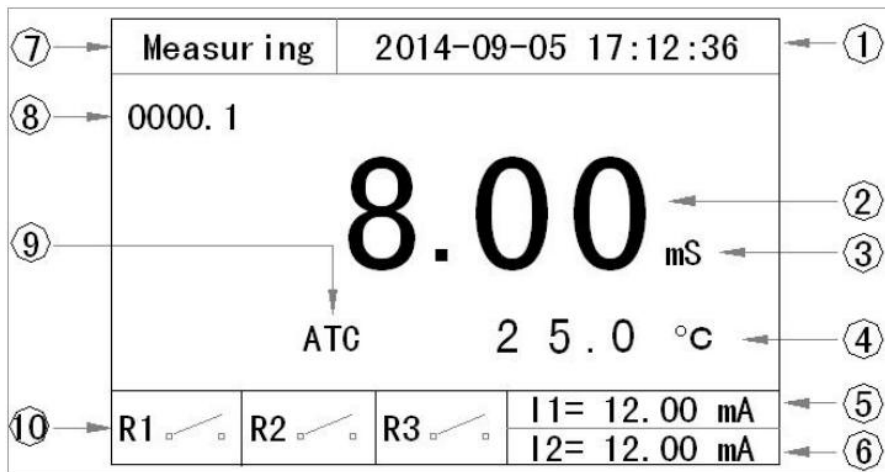


Connection label



**Electrode connection figure**

## Display



1. Date and time
2. Main display
3. Unit
4. Temperature and unit
5. First current output
6. Second current output
7. Measurement status and Error indicator, there is no display if meter is in keeping mode
8. Count down timer: cycle time/clean time, it also displays the “delay” when relay3 has a delay enabled.
9. Temp. compensation: auto(ATC) or manual(MTC)
10. Relay indicator

Note: If the EC readings are over the range, it will display 99.99/999.9/9999 If the temperature readings are under or over the range, it will display -99.9/999.9.

## Ordering Code

Conductivity meter						
SUP-EC8.0	Model					Description
Range	R1					0-20000 $\mu$ S/cm
Cell constant	K1					K=0.01 0.02 ~ 20.00 $\mu$ S/cm
	K2					K=0.1 0.20 ~ 200.0 $\mu$ S/cm
	K3					K=1.0 2.00 ~ 2000 $\mu$ S/cm
	K4					K=10.0 0.02 ~ 20.00mS/cm
Cable Length	L1					5M
	L2					10M
	L3					15M
	L4					20M
	L5					Other Length
Signal Output			S1			4-20ma RS485
Relay				A1		Two (high and low)
Power supply					V1	From 90 to 260 VAC, power consumption < 7 Watts

# Supmea

## Headquarters

5th floor, Building 4, Singapore Hangzhou Science Technology Park, No. 6 street,  
Hangzhou Economic Development Area, Hangzhou 310018, China

## Singapore

2 Venture Drive #11-30 Vision Exchange Singapore

## Philippines

Majestic Subdivision, Lot 1, 1800 Rainbow St, Marikina, 1811 Metro Manila, Philippines

✉ [info@supmea.com](mailto:info@supmea.com)

🌐 [www.supmea.com](http://www.supmea.com)

Supmea Automation Co., Ltd.

---